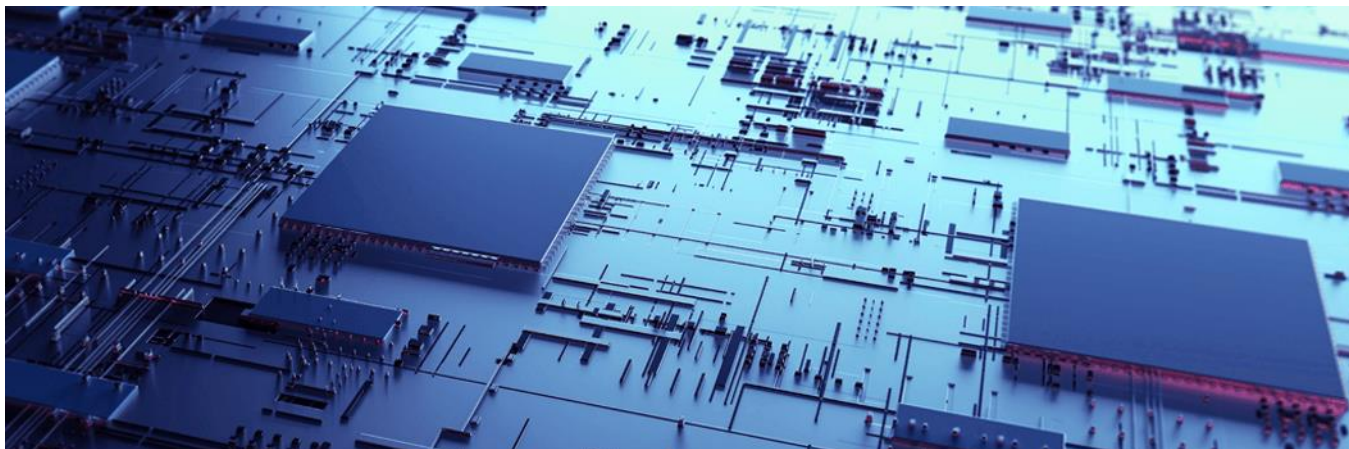


## ZCM3K-PFEG1-1A5 | 3kW High Voltage Output Power Supply



### Description

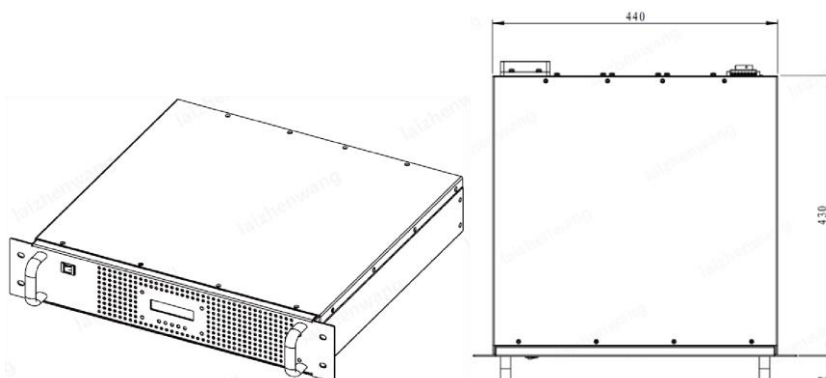
ZCM3K-PFEG1-1A5 is a 3kW/2kV high voltage output power supply with APFC. The model support two output mode: DC output mode & Pulse output mode.



### Features

- Input voltage: 176Vac~264Vac
- Support two output mode: DC output mode & Pulse output mode
- Wide temperature adaptability: -25~+55°C
- With all-round protections (Input undervoltage& overvoltage Protection, OVP, SCP, Over Current Protection, OTP. Open-circuit Protection)
- High efficiency: 90% typical @230Vac input , full load
- Up to 10kV output application with 5 power module series
- Up to 30kW output application with 10 power module parallels
- Meet EN60950 safety requirement

### Mechanical Drawing



## Specifications

Model	ZCM3K-PFEG1-1A5
Output Voltage	50~2000Vdc
Output Current	1.45~1.55A
Output Power	3000W
Input Voltage	176~264V
Input Voltage Regulation	±1.0%
Efficiency	91%
Power Factor	0.97
Over Load	±3.0%
Protections	OVP/ OTP/ SCP/ UVP
Communication	Output Voltage and Current Adjust Function,, Fault Transmit Function
Safety	Meet with EN60950 Standard
Operating Temperature	-25~55°C
Storage Temperature	-40~70°C
Operating Humidity	90% no condensation
MBTF	≥10000 hours
Dimensions (LxWxH)	440x430x88mm